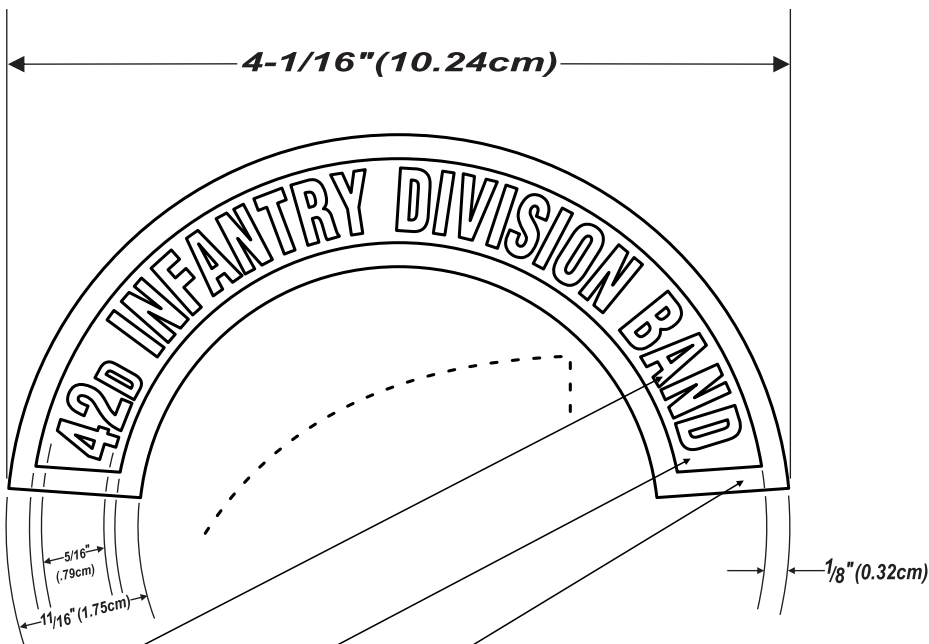


**FOR SUBDUED TAB**

REVISIONS

**OCP:**

SCARLET AREAS TO BE BLACK 67138.  
ARMY GREEN AND YELLOW AREAS TO BE BAGBY GREEN 67204.



GOLDEN YELLOW  
CABLE No. 67104  
letters


SCARLET  
CABLE No. 67111  
background

ARMY GREEN  
CABLE No. 67131  
border

**DESIGNED FOR OVEREDGE STITCHING**

STITCHES 1484 (MINIMUM)  
DENIER 90/2  
SPAN 8/4

**DISTRIBUTION A. Approved for Public Release**

EXAMINED	<i>TLG</i>		THE INSTITUTE OF HERALDRY, DEPARTMENT OF THE ARMY	
CHECKED	<i>CA</i>	<i>SAO</i>	9325 GUNSTON RD, RM S-113 FORT BELVOIR, VA 22060-5579	
PREPARED	<b>SNP</b>		TAB	
APPROVED	 CHARLES W. MUGNO DIRECTOR		<b>42D INFANTRY DIVISION BAND</b>	
MATERIALS: TO BE MANUFACTURED IN ACCORDANCE WITH MIL-DTL-14652			SIZE	CONTROL IDENT. NO
			<b>A</b>	<b>22571</b>
			DATE	<b>A - 1 - 1132</b>
			SCALE	<b>17 OCTOBER 2019</b>